

T SERIES

155 - 271 HP

VALTRA



**YOUR
WORKING
MACHINE**

BUILT FOR POWER. DESIGNED FOR CONTROL.

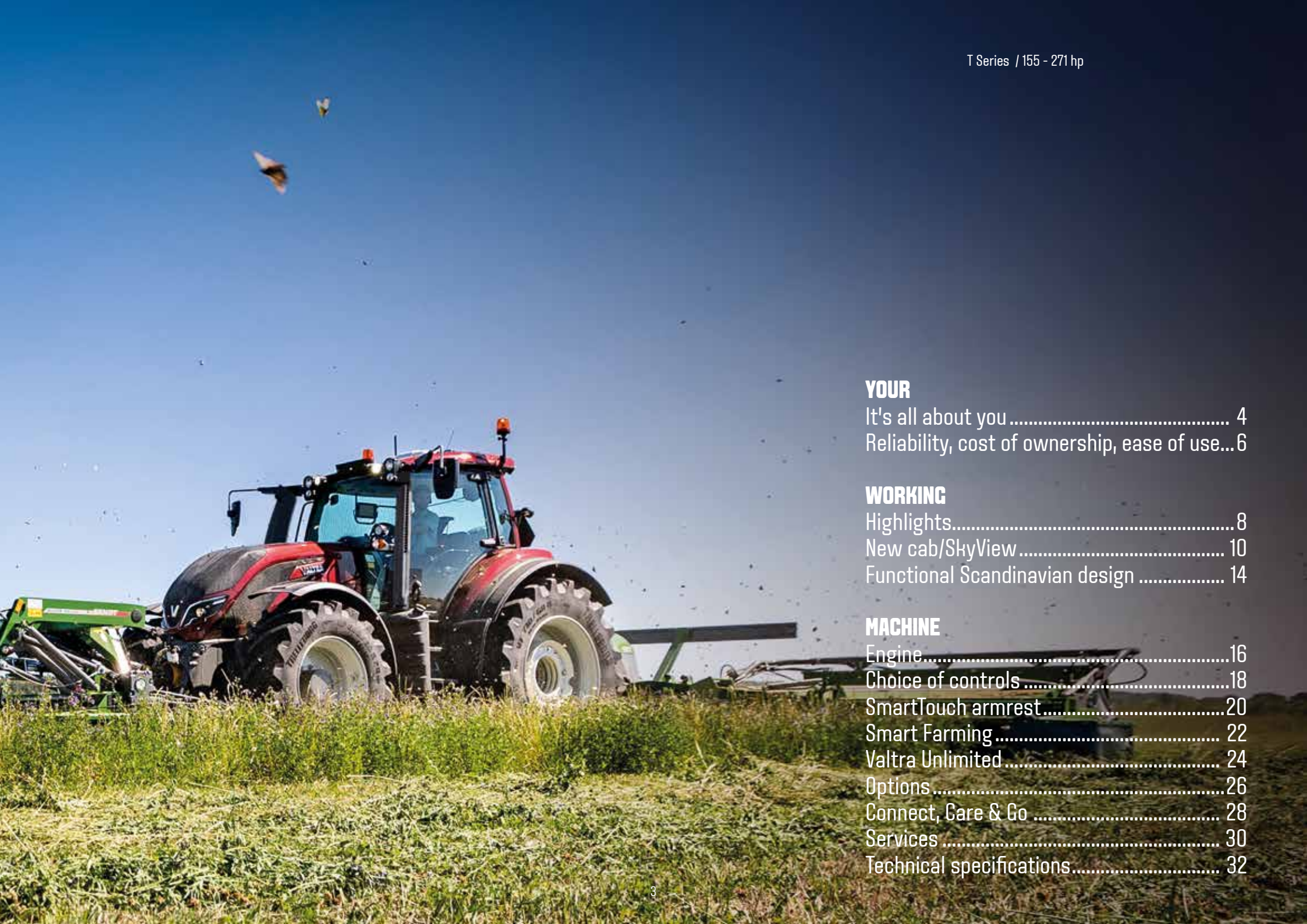
Your land is your life.
Your farm is your foundation.
Your crop is your career.
Your tractor is the tool of your trade.

That's why it's a Valtra.
Like a craftsman's trusty tools, your Valtra gives you the confidence and the guts to get the job done. Every day. Every time. In every working environment.

At Valtra, we have always chosen the path less walked – because where we come from, that's how the paths are. We don't hesitate to walk the extra mile for you. We do things like this because it's the best way to do them. And because we believe in getting things done.

You don't compromise. Neither do we.

Get the job done.
Get a Valtra.
Your working machine.



YOUR

It's all about you 4
Reliability, cost of ownership, ease of use... 6

WORKING

Highlights..... 8
New cab/SkyView 10
Functional Scandinavian design 14

MACHINE

Engine..... 16
Choice of controls 18
SmartTouch armrest..... 20
Smart Farming 22
Valtra Unlimited 24
Options 26
Connect, Care & Go 28
Services 30
Technical specifications..... 32

IT'S ALL ABOUT YOU

Where we come from, we don't talk much. But we listen to our customers. You told us that the three most important reasons for selecting a Valtra are reliability, low total operating costs, and ease of use. That's how we built the fourth generation of Valtra tractors.

T Series / 155 - 271 hp

We have been building tractors for more than 60 years, and the T Series is the culmination of our experience so far. We designed it for the diverse requirements of farmers and the most demanding of conditions. We are proud of the result.

Your working machine is built around you. Enter the cab, start the engine and see what the Valtra T Series can do on your farm.



MAKE THREE WISHES AND GET IN THE DRIVER'S SEAT

If you could design and build a tractor, this is what it would look like. Many of the new T Series' unique features originated from our customers, because this tractor is the end result of discussions with hundreds of customers and thousands of hours of test driving.

MODELS AND HORSEPOWER

T144 HiTech 155-170 HP
T144 Active 155-170 HP
T144 Versu 155-170 HP
T144 Direct 155-170 HP

T154 HiTech 165-180 HP
T154 Active 165-180 HP
T154 Versu 165-180 HP
T154 Direct 165-180 HP

T174e HiTech 175-190 HP
T174e Active 175-190 HP
T174e Versu 175-190 HP
T174e Direct 175-190 HP

T194 HiTech 195-210 HP
T194 Active 195-210 HP
T194 Versu 195-210 HP
T194 Direct 195-210 HP

T214 HiTech 215-230 HP
T214 Active 215-230 HP
T214 Versu 215-230 HP
T214 Direct 215-230 HP

T234 HiTech 235-250 HP
T234 Active 235-250 HP
T234 Versu 235-250 HP
T234 Direct 220-250 HP
T254 HiTech 235-271 HP
T254 Active 235-271 HP
T254 Versu 235-271 HP

RELIABILITY

We stand behind the reliability of this tractor. To ensure unrivalled reliability, we make all four major components of the T Series in-house. The chassis, transmission and cab are Valtra's own design and engineering, and AGCO Power is the original Valtra engine that sets the reliability standard in our industry. The T Series is built for working in tough conditions - every day.

EASE OF USE

We made owning, operating and servicing your tractor easy so that you can concentrate on your work. The controls in the cab are located to minimise body movement, transmission operation is easy with a new drive lever, and the bright work lights let you keep working when night falls. We paid extra attention to the daily maintenance points, so that checking the oil and cleaning the filters take as little time as possible. The T Series is well suited for your work because many of its unique features were actually innovated by our customers.

LOW TOTAL COST OF OWNERSHIP

The T Series isn't the cheapest tractor you can buy. But drive it for 10,000 hours and then you'll see the low total cost of ownership. For a start, we build your tractor for you, so you get only the features you need, factory installed and covered by the factory warranty. With AGCO Finance you tailor your financing costs. The optimized service intervals reduce your maintenance costs and the AGCO Power engines give you the best overall fluid economy. Choose the T174 EcoPower model to save an additional 10% in fuel costs. Select Valtra Care to fix your maintenance costs and get the service contract that suits your needs. And with genuine Valtra parts and 24/7 service you will get high resale value for your tractor. Valtra has one of the fastest parts delivery services in the industry to keep your working machine running, day in, day out.



HIGHLIGHTS OF YOUR NEW WORKING MACHINE

Every detail of this tractor has been developed to improve your productivity. The T Series has been perfected by our engineers and tested by our customers. Come in for a test drive!



Comfort

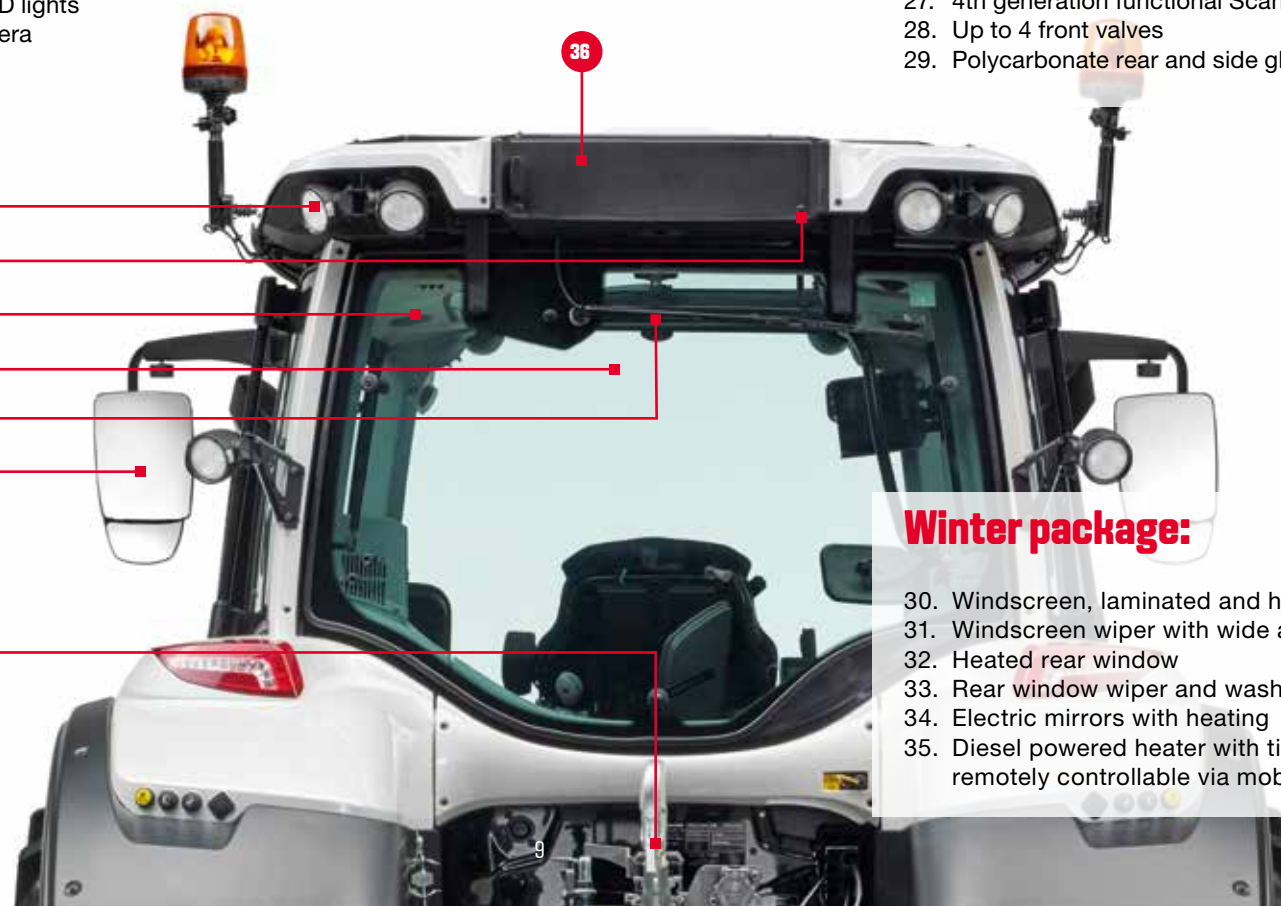
1. The most comfortable 5-post cab (6 post cab option)
2. Intelligent cab frame with 365 Day visibility and over 6 m² window space
3. Pneumatic AIREs+ front axle suspension
4. Quiet working (<70 dB) in the 5-post cab
5. 270° sweep windscreen wiper and heated front* and rear windows
6. Pneumatic AutoComfort cab suspension
7. Roof window
8. Electric TwinTrac reverse driving and 180° swiveling seat
9. Efficient LED lights
10. Safety camera

Power

11. AGCO Power 6.6 l or 7.4 l engine, up to 271 hp and 1000 Nm
12. EcoPower fuel saving model
13. Fuel efficient EU Stage V engine
14. 600 hour service interval
15. 380 l fuel tank, 70 l AdBlue tank
16. Pillar air intake for engine
17. Pump capacity up to 200 l/min
18. Unique Valtra patented hydraulic assistant

Your working machine

19. 5 speed Powershift with HiTech, Active and Versu, or Direct CVT
20. Electric 3-speed PTO with Sigma Power and ground speed PTO
21. Integrated 51 kN front lift and either a 81 kN or a 95 kN rear lift
22. Load-sensing hydraulics with 115, 160 or 200 l/min pump capacity
23. Factory installed front loader
24. Best ground clearance on the market (60 cm)
25. Max total weight 13,500 kg
26. Turning radius 5.25 m
27. 4th generation functional Scandinavian design
28. Up to 4 front valves
29. Polycarbonate rear and side glass

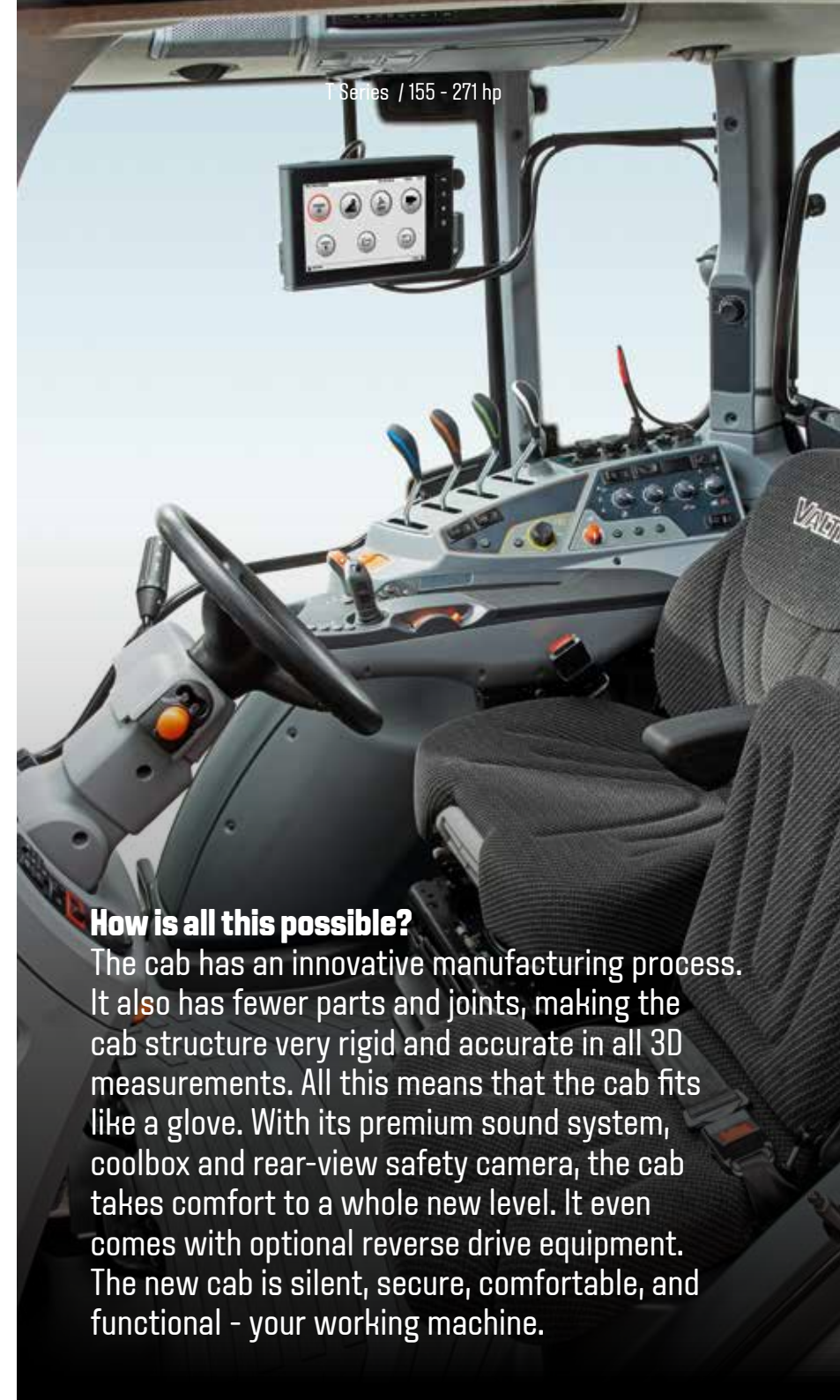


Winter package:

30. Windscreen, laminated and heated
31. Windscreen wiper with wide angle
32. Heated rear window
33. Rear window wiper and washer
34. Electric mirrors with heating
35. Diesel powered heater with timer, remotely controllable via mobile phone

THIS CAB IS YOUR COMFORT ZONE

Make yourself comfortable. When it comes to productivity, the driver is central. That is why we never compromise on comfort, safety and ergonomics.



T Series / 155 - 271 hp

How is all this possible?

The cab has an innovative manufacturing process. It also has fewer parts and joints, making the cab structure very rigid and accurate in all 3D measurements. All this means that the cab fits like a glove. With its premium sound system, coolbox and rear-view safety camera, the cab takes comfort to a whole new level. It even comes with optional reverse drive equipment. The new cab is silent, secure, comfortable, and functional - your working machine.

T Series / 155 - 271 hp



MORE SPACE, BETTER VISIBILITY, AND EVERYTHING UNDER CONTROL

You have more space where you need it, because the 5-post cab is convex. You have excellent visibility, with more than six square metres of window space. And you have more comfort and better control, both forward and in reverse using TwinTrac. The SkyView cab offers a window area of almost seven square meters.

365 Day Visibility Concept

You get the best possible visibility day or night, summer or winter, undertaking front loader work or reverse driving. The narrow pillars and exhaust pipe design help you see your work. The 270° sweep front wiper keeps the heated front windscreen clear in all conditions and you can see the front loader bucket easily through the roof window. Premium LED working lights give you light in all directions. With black panel mode you can dim the interior to maximise your visibility outside and the optional safety camera gives you an unimpeded view of the hitch or working device. Efficient air conditioning and two heaters keep the temperature comfortable even when it's -30 degrees outside.

Comfort and control

You notice the comfort as soon as you enter the cab – three steps and safe access through the wide-opening and soft-closing door. You have fingertip control of the new 5-speed powershift or Direct CVT, with a drive lever for driving and a joystick for controlling all tractor hydraulics. The cab has four seat options, from mechanical suspension to the Valtra Evolution seat with air conditioning and air suspension. Your co-driver also enjoys comfort and plenty of space. Two cab suspensions are available: luxury, semi-active pneumatic AutoComfort and a new mechanical suspension. The T Series has a front axle with AIRES+ suspension that constantly monitors the ground and communicates with the AutoComfort cab suspension to make you feel as comfortable as possible.

In HiTech and Active models, the straightforward “Basic control” user interface provide exactness, while armrest control makes advanced tasks with the integrated front loader joystick and cruise control. Versu and Direct are fitted with the easy-to-use SmartTouch user interface.

Functional Scandinavian design

The cab has a unique shape to give you more space at shoulder and elbow height, but it is narrow at the front to keep the tractor as compact as possible. The convex windows optimise use of space, with over 6 m² of visibility in all directions. The Valtra cab is designed for reverse driving with TwinTrac. As always with Valtra tractors, the T Series cab offers a silent workplace (70 dB).

Technology on demand

Most of the technology is available at the touch of a button. By pushing the ECO or U Pilot button, or engaging the transmission modes, the tractor handles itself automatically. With SmartTouch and the 9” touchscreen you get full control of all the technology, including Valtra Guide, which drives your tractor for you with cm accuracy. The Valtra Connect telemetry system is available factory fitted and ready to use when the tractor arrives on your farm. We concentrate on the technology so you can focus on your work.

**IT'S NOT HOW MANY
FEATURES WE PUT
INTO IT THAT COUNTS.
IT'S HOW MUCH YOU
GET OUT OF IT.**



Form follows function: this is the cornerstone of our design philosophy. The T Series highlights perfectly the way we think. It's functional, yet easy to operate and exciting to look at. Every detail is designed with a purpose in mind: to improve productivity and minimise the total cost of ownership.

Intelligent frame

With its long wheelbase, 2995 mm, the T Series gives good stability and a steady ride. This tractor also reaches a new level of agility, with a turning radius of just 5.25 m, thanks to the narrow engine construction, integrated front linkage and front PTO. At the same time, the frame structure enables us to design the bonnet in a way that improves visibility. While the T Series has a high ground clearance up to 60 cm, the cab sits lower, making this the most compact 6-cylinder on the market, and it still handles high payloads.

For heavy lifting

The T Series is excellent for maximum grip thanks to its front/rear weight distribution of 40%/60%. The front loader sub-frame is fully integrated with the frame structure. The integrated front lift gives you the highest lifting capacity on the market, 51 kN in front and up to 95 kN in the rear. The unique 890 mm lift

height makes it easy to work with implements. Both a three-speed, electrically controlled PTO and a Ground Speed PTO are available for your Valtra T Series.

Versatility concept

Select the horsepower, the hydraulics, and the gearbox you need. Then select the options required for your work. We build tractors that give you unmatched flexibility. This is the ideal tractor for arable farming, with power on the ground and a seamlessly working engine and transmission. For dairy and mixed farms we provide a wide range of options for mowing. This is the best solution for a contractor doing heavy front loader work, thanks to the patented hydraulic assistant. For forestry work, you can choose underside protection, the high-capacity hydraulic pump and SkyView cab with enhanced visibility. All options come factory installed and are covered by the factory warranty.

A front-facing view of a modern John Deere tractor. The tractor is primarily white and black with a prominent 'V' logo on the front grille. It features a large glass-enclosed operator's compartment with multiple headlights and amber warning lights. The tractor is shown from a low angle, emphasizing its front end and large tires.

T Series / 155 - 271 hp

It's not just good looking, it's also good working. Every detail has been designed to make this tractor easy to drive and easy to own.

THE BEST TRACTOR ENGINE, MADE IN FINLAND

We lowered the total cost of ownership by reducing fuel consumption and emissions to meet EU Stage V engine regulations, while still delivering power where you need it. At the same time we have focused on keeping maintenance to the minimum, for example with service-free hydraulic lash adjustment (HLA).



Right-sizing saves fuel

You get good responsiveness and fuel economy throughout the rpm range with the T Series' 2000 bar injection pressure. You reach max torque at 1500 rpm. The T Series lowers fuel consumption with a new cooling package, a high pillar air intake, electronic viscous fan control, and optimised heat removal.

Valtra EcoPower

With the Valtra T174 EcoPower model you can choose between two engine settings at the flick of a switch and minimise fuel consumption, especially for transport driving. The engine torque increases and the average piston speed is reduced by 20 percent. This not only reduces engine wear; it also means fuel savings of up to 10 percent. Idle speed is only 650 rpm.

The Sigma Power boost

The Sigma Power feature gives up to 36 additional horsepower for PTO work when required. Sigma Power is especially useful when you are working with implements that demand a lot of PTO power, such as chippers, mowers, and power harrows.

Market leading hydraulics

The Valtra Direct, Versu and Active models offer high-capacity load-sensing hydraulics with 115, 160 or 200 l/min hydraulic pumps. Valtra is the only tractor manufacturer that can offer the patented hydraulic assistant even for powershift models. There are separate oils for the transmission and hydraulics, up to seven service valves in the rear and three valves in front. In Active the rear valves are mechanically controlled with the ergonomically located, clearly marked levers. The front valves for the front loader, front lift or both, can be electronically controlled by a joystick on all models.



AN UNBEATABLE RANGE OF CHOICE

Valtra T series offers more choices than anyone else – with the help of our experienced salesman your working machine can be tailored to match your exact needs. Valtra offers six power levels and four transmission options: Hitech, Active, Versu and Direct. Your Valtra T Series HiTech and Active models can be equipped with a basic user interface or with the practical and convenient control armrest.

HITECH

- 5PS, with open centre 73/90 litre hydraulics
- Mechanical hydraulic controls

In HiTech and Active the transmission control is robotized, so there are no mechanical gear levers. These tractors can be equipped with easy-to-use basic controls or with a control armrest that lets you drive at all speeds using the small gear lever and cruise control.

HITECH* / ACTIVE

- 5PS, with load sensing hydraulics
- Mechanical hydraulic controls
- New Joystick available in Active

Valtra Active is a revolutionary powershift technology with load sensing hydraulics at up to 200 l/minute, a hydraulic assistant and separate hydraulic and transmission oils.

* HiTech also available with the Valtra Arm

VERSU

- 5PS, with load sensing hydraulics
- Electrical hydraulic controls
- Valtra SmartTouch armrest with display
- Easy transmission and hydraulic settings

Valtra Versu is the king of the new generation powershift transmissions, with electronic hydraulic control, a hydraulic assistant, 115, 160 or 200 litre output, and separate hydraulic and transmission oils. It operates with the drive lever in automatic or manual mode. By choosing a Versu transmission, you get the ease of powershift and the flexibility of CVT in one package

Join the Powershift Revolution

Valtra Powershift is the smoothest transmission on four wheels. Just select your driving direction and you are automatically in control – with Valtra you can drive your powershift tractor like a CVT. In automatic modes you shift automatically based on your acceleration and torque requirements – and you always get the best fuel economy.

The 5 step Powershift transmission has four ranges and is available in HiTech, Active and Versu. With two creeper ranges, you have 30 speeds in both directions. With the new

gear lever in the armrest (HiTech and Active) the change between Auto and Manual is easy. In Versu, you always start in Auto-Mode. These models also have the Hill-hold feature, so you can get a smooth start with just the accelerator pedal, even uphill.

Valtra Versu models (as well as Active and Hitech for front loader) have a revolutionary, patented hydraulic assistant, giving you more hydraulic output automatically, either stationary or when driving, with no effect on driving speed. No other powershift can do it!

DIRECT CVT

- CVT with load sensing hydraulics
- Electrical hydraulic controls
- Valtra SmartTouch armrest with display

This is the flagship of the range. The drive lever allows you to adjust the acceleration and deceleration with just your right hand. We offer versatile velocity control setups, including a manual transmission control for use with some special types of crop.



COMMAND YOUR T SERIES

Valtra SmartTouch has raised usability to a new level. It's more intuitive than your smartphone. Settings are easily accessible within only two taps or swipes and all technology is integrated into the new easy-to-use format: Guidance, ISOBUS, Telemetry, AgControl and TaskDoc.



Easy to navigate menu structure.



The settings are logical and easy to set up with swipe gestures. All settings are automatically stored in the memory.



The 9" touchscreen, large controls, settings and functions are easy to understand.



You can assign any control to operate any hydraulic function, including front and rear hydraulic valves, front and rear linkages and the front loader.



It's easy to configure the work lights using the 9" touchscreen. There are also on/off buttons for the work lights and beacon in the armrest.



Profiles for operators and implements which can be easily changed from any screen menu. All the setting changes will be saved in the selected profile.



MULTIFUNCTIONAL LEVER

1. Rubber grip: With first-class materials the drive lever is ergonomic, easy to use and comfortable.
2. Ergonomic design: The design allows for easy lever movement in all four directions. The button area is in a natural position for your thumb. The buttons and switches are designed with a function first approach, therefore buttons with different functions look different. For example, the latching rocker switch for the rear linkage has a momentary down function for fast soil engagement.
3. Three programmable memory buttons for any tractor operation or operations (U-pilot). For example M1 to increase Driving speed or cruise speed, M2 to decrease it.
4. Two linear levers to control hydraulics.
5. Safety usage: The area between buttons lets your thumb rest without having to keep your fingers on top of the buttons. Humps around linear levers prevent accidental use.
6. Clear, simple lines add to the overall feeling of tranquillity and sturdiness, and improve usability.
7. Forward / reverse lever at the drive lever.

SCREEN

8. No additional screens needed – Valtra Guide and safety camera displays are integrated into the SmartTouch screen. No need for additional monitors that block your visibility. For advanced ISOBUS use it is possible to add a second SmartTouch screen – the SmartTouch Extend.

JOYSTICK

9. The ergonomically positioned hydraulic joystick now includes a 3rd control for hydraulics on top.

BUTTON & REAR LINKAGE AREA

10. Buttons: Their concave and convex shape helps you find frequently used buttons easily and quickly.
11. Rear linkage - The easy-to-use limiter enables even the smallest adjustments of the rear linkage.

DESIGN

12. The functional structure of the armrest provides a good grip on rough terrain. All functions are easy to access due to the logical layout and the armrest gives good support to your hand reducing tension and stress. Location of PTO switches minimizes unintentional usage.
13. Upholstery: Alcantara upholstery for less sweating. Storage space under the cover.
14. Designed in Finland.

SMART FARMING BUILT IN.

Valtra offers a set of smart farming technologies that work seamlessly together – Valtra Guide, ISOBUS, Section Control, Variable Rate Control and TaskDoc – which you operate from the SmartTouch terminal. By automatically guiding your tractor and implements, these improve your accuracy and precision, reduce working time, and make sure you get better yields and better return on your investment.

FUSE[®]
SMART FARMING. SYNCHRONIZED.

Smart farming relies on GPS positioning signals to map your fields and to guide your tractor. GPS guidance makes automatic steering more accurate than manual steering, so your tractor will be exactly where it needs to be at every turn, in every field, in all conditions.

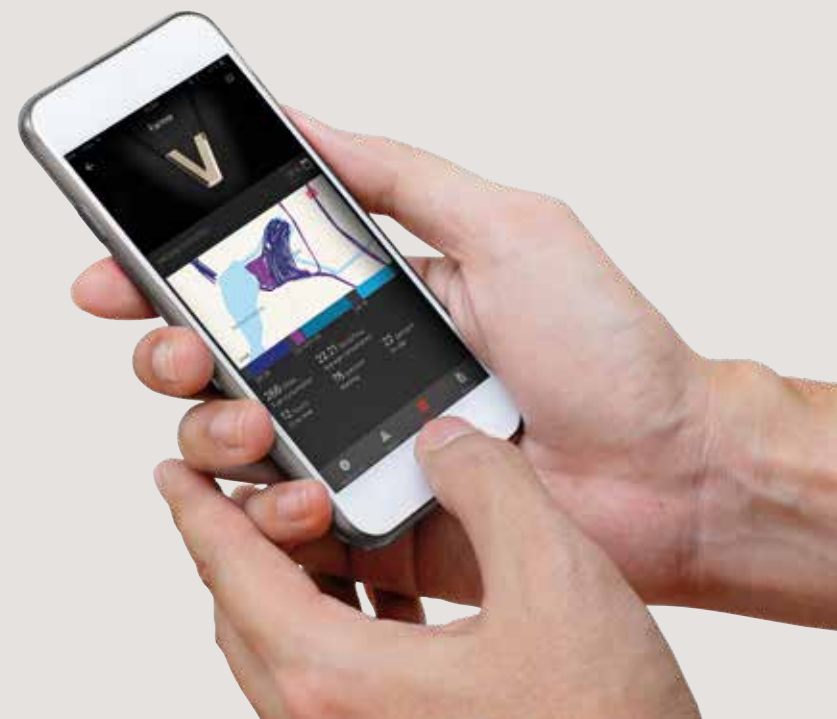
Using Valtra Guide your ISOBUS compatible implements can be automated to vary the way they work in different parts of the field. Section Control automates section control functions in implements and Variable Rate

Control automates and controls variable rate application functions. So, for example, using prescription maps with Valtra Guide and Variable Rate compatible implements, you can put exactly the right amount of input in the right spot on the field.

Our technology is all designed in-house and we use the highest quality suppliers to ensure consistently high build quality and outstanding reliability. And all hardware and software components are optimized for each specific tractor.

VALTRA CONNECT

Valtra Connect is a telemetry solution that records tractor activity and GPS movements, all the time. It can display history and real time data on your mobile device and you can access the data anywhere, anytime. Using this data, you and your Valtra service partner can anticipate maintenance needs, and react faster to solve minor issues and avoid extra visits to your authorized service centre.



YOU FIND THE WORK. WE'LL FIND THE WAY.

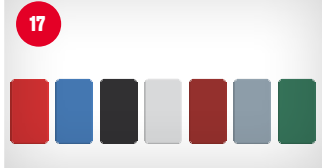
There are hundreds of thousands of machine owners with thousands of completely different tasks to do. That's why there is Valtra Unlimited, offering unlimited solutions. It is not only about picking a specific colour or about a new feature. It is about new opportunities, about finding new ways to be professional and new ways to be more productive. Be it in agriculture, forestry, municipality, logistics or a completely different type of work, with the right equipment any Valtra tractor becomes the Unlimited multi-purpose vehicle that will make your future.



T Series / 155 - 271 hp

EVERY FARMER IS DIFFERENT. SO IS EVERY T SERIES TRACTOR.

Valtra is famous for the à la Carte system. Tailor your tractor using the electronic ordering tool together with your dealer. This is how we ensure that you will get the working machine that matches your needs exactly.





1. **TwinTrac** / Rear driving controls for reverse driving
2. **AutoComfort** / Luxury pneumatic cab suspension
3. **AIRES+** / Pneumatic front axle suspension
4. **Premium audio system** / HiFi sound with or without subwoofer
5. **Premium working light options** / Excellent visibility for night work
6. **Sigma Power** / Gives an extra 15 hp for PTO work
7. **Roof window** / Best visibility for front loader work
8. **Coolbox** / To keep your refreshments cool
9. **U-Pilot** / Headland management in Versu and Direct
10. **Valtra Evolution seat** / Luxury seat with air conditioning and air suspension
11. **Passenger seat** / Plenty of room in the cab for a co-driver
12. **Front loader** / The best visibility and hydraulics for loader use with patented hydraulic use.
13. **Tyre options** / A wide range for any type of work
14. **Toolbox** / Keep tools safe in a lockable service compartment
15. **Mechanical cab suspension** / For smooth driving
16. **Customer name** / Advertise yourself or your business
17. **7 standard colours**
18. **Front PTO**
19. **Front Lift** / 5-ton lift capacity for heavy duty applications
20. **Windscreen wiper 270 degrees**
21. **High Speed** / Up to 53 or 57 km/h with reduced engine speed
22. **Weights** / Front, rear, rim and ballast
23. **Valve packs (2-5)** / To meet all implement needs
24. **Power Beyond** / Full hydraulic output for big implements
25. **Hydraulic capacity** / of 115/160/200 litres /min
26. **Trailer hitch options** / Pick-up hitches and towing frames
27. **Electric power supplies** / available for all needs
28. **Front service valves** / Flexible use for front implements
29. **Winter package** / Heated rear window, Electric mirrors with heating, Windscreen, laminated and heated, Windscreen wiper with wide angle, Diesel powered heater with timer, remotely controllable via mobile phone
30. **Forest roof** / SkyView
31. **Cab with 2 doors**

PEACE OF MIND. IN YOUR HANDS.

We believe in a seamless connection between our customers, dealers, machines and the Valtra factory. When connected you can select the desired service and warranty packages to meet your expectations and requirements. We take care of you, so you can take care of your business.



CONNECT

TRACTOR DATA, INFORMATION
AND SERVICES.



CARE

FACTORY EXTENDED
WARRANTY.



GO

MAINTENANCE
CONTRACT.



CONNECT

Stay connected anywhere, anytime

By choosing Valtra you are connecting with a team of professionals that help you make the most of your business. You can contact your local support through our online customer portal which also gives you 24/7 access to tutorials, contractual information and services around your machines. The Valtra Connect telemetry solution records tractor activity and GPS movements, all the time. It can display history and real time data on your mobile device and you can access the data anywhere, anytime. Using this data, you and your Valtra service partner can anticipate maintenance needs, and react faster to solve minor issues and avoid extra visits to your authorized service centre.

CARE

Total peace of mind

With Valtra Care extended warranty contracts you can find ultimate peace of mind and security against additional repair costs of non-wearing parts. Care allows you to set your overheads when you purchase your Valtra tractor, or when the standard warranty expires. They are flexible and available up to 5 years or 6,000 hours.

GO

Maximise your uptime

Fix your costs at the point of purchasing your Valtra machine and ensure the optimum performance, while guaranteeing efficiency and maximize the residual value of your machine! Valtra Go service contracts ensure regular and thorough maintenance which will prolong the reliable operation of your Valtra tractor. Maintenance costs are small compared to repair costs resulting from lack of maintenance. The Valtra Go service package includes all prescribed maintenance work bookable up to 10,000 hours for new and used machines.

YOUR OWN VALTRA DEALER

Your Valtra dealer represents the best tractor and implement expertise in your area. He understands the technical aspects of your tractor and the challenges you face. You can always turn to your dealer and receive the best service from consultancy, maintenance, repair and spare parts to the purchase of a new piece of equipment. Valtra dealers are independent entrepreneurs. AGCO audits its dealer representatives each year to ensure that you get the best possible service.



**GENUINE PARTS AND HIGH QUALITY ACCESSORIES
- ALWAYS AVAILABLE**

Valtra's comprehensive spare parts service supplies the parts you need – as fast as by the next morning. This helps you keep your tractor productive during the busy ploughing and harvesting seasons. The AGCO Parts label ensures that you are getting original Valtra spare parts that have been thoroughly inspected and tested.

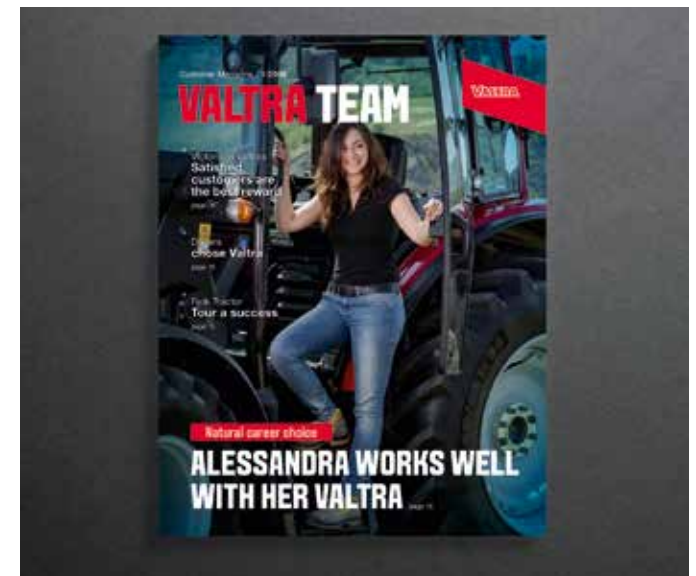
**AGCO MAKES THEM UNBEATABLE,
WE MAKE THEM AFFORDABLE.**

At AGCO Finance we tailor your personal finance solution based on your cash flow and operation. Tell us how much you can afford on a monthly basis and we will create a flexible payment schedule according to your business needs, taking seasonal variations into account.

As a full service provider we also offer financing services such as leasing, rental and insurance. Our services may vary between countries, so please check our website or your nearest dealer for the available offering.

VALTRA UNLIMITED

The Valtra Unlimited studio at the Suolahti factory is widely known for its capability to make customer wishes come true. The studio can fit any accessories and equipment that are not available directly from the production line during the normal manufacturing process. Our Valtra Unlimited mechanics are qualified experts who are supported by the skills and expertise of the entire factory. This ensures the highest levels of quality and safety also for our customised products. All the accessories and equipment fitted by the Valtra Unlimited studio are covered by the factory warranty, and we also supply all the servicing and spare parts for them.





VALTRA TEAM

Valtra Team is our customer magazine, published twice a year. Each issue contains useful information about the latest innovations and the most efficient working methods. You can also access the magazine's archives online and read articles dating back to 2000.

AGCO ACADEMY

Tractors and related technologies, especially precision farming technologies, are developing at a rapid pace. The Valtra Academy continuously trains Valtra dealers and service technicians, so that the first-class and up-to-date expertise that you get from your Valtra dealer today will continue to meet your needs in the future.

VALTRA COLLECTION

The Valtra Collection offers high-quality clothing and accessories for work and leisure. The materials and details are carefully selected. The clothing reflects Valtra's modern design language, with light, yet extremely durable materials that combine style and functionality.



TECHNICAL SPECIFICATIONS



TRACTOR MODEL	T144	T154	T174e	T194	T214	T234	T254
ENGINE			std mode	eco mode			
Engine, Agco Power	66 LFTN-D5		74 LFTN-D5	74 LFTN-D5	74 LFTN-D5	74 LFTN-D5	74 LFTN-D5
No of cylinders /Capacity [l]	6/6.6		6/7.4	6/7.4	6/7.4	6/7.4	
Emission control	Stage V; DOC, DPF and SCR						
Standard Max Power, [kW]	114	121	129	143	158	162	173
Standard Max Power, [hp]	155	165	175	195	215	220*	235
Boost Max Power, [kW]	125	132	140	154	169	184	184
Boost Max Power, [hp]	170	180	190	210	230	250	271
at engine speed [r/min]	1900		1900	1700	1900		
Nominal engine speed [r/min]	2100		2100	1800	2100		
Standard Max Torque, [Nm]	640	680	740	850	800	870	930
Boost Max Torque, [Nm]	680	740	780	900	870	910	1000
at engine revs	1500		1500	1100	1500		
TRANSMISSION							
HiTech	X	X	X	X	X	X	x
Active	X	X	X	X	X	X	x
Versu	X	X	X	X	X	X	x
Direct	X	X	X	X	X	x	
DIMENSIONS							
Wheel base [mm]	2995						
Length [mm]	5800						
Height [mm]	3130						
Turning radius (600/65R28, track 1960mm) [m]	5.25						
Fuel capacity [l]	380						
AdBlue capacity [l]	70						
Ground clearance MID [mm]	600						
Weight (full tanks) [kg]*	7300						
Weight distribution F/R [%]	40/60						
Max front axle weight [kg]	5500						
Max rear axle weight [kg]	9000						
Gross vehicle weight [kg]	13500						

*T234 Hitech, Active and Versu: STD max. Power 235 HP/ 173 kW and max. torque STD/Boost: 930/1000 Nm.

TRANSMISSION	HITECH	ACTIVE	VERSU	DIRECT
ENGINE				
5 step Powershift; 4 work areas + creeper	X	X	X	--
CVT	--			X
Speed range	0.6-43			0-43
Alternative speed range	0.7 - 53 or 0.7 - 57*			0-53 or 0-57*
Group gear (work areas)	A,B,C,D			
Number of speeds with creeper	30			CVT
Creeper	STD			CVT
Number of creeper gears	10			CVT
Brakes rear	multi-disc/plates oil cooled wet brakes with hydraulic boost			
Brakes front axle	Option (STD on High Speed)			
Type of main clutch	wet multi-disc			
Front axle suspension type (option)	AIRES+ pneumatic			
HYDRAULICS				
Hydraulic system	Open Center	load sensing		
Pump capacity (option)	73 (90)	115 (160/200)		
Oil available for implements [l]	40	47		
Mechanical valves rear	up to 4		--	
Power Beyond	--	option		
Electronic valves rear	--		up to 5	
ON/OFF valve rear	--	up to 1	up to 2	
Electronic valves front [option]	2, 3 or 4			
POWER LIFT				
Lift capacity rear, max [kN]	78	78 (95)		
Lifting range [mm]	868			
Optional front lift capacity, max [kN]	51			
POWER TAKE OFF				
540 / 1000	STD			
540/540E/1000	Option			
540E/1000/1000E	Option			
Ground speed PTO	Option			
Front PTO 1000	Option			

*High speed models available on models T174-T254. There can be limitations concerning equipment and tyres.

CAB	HITECH	ACTIVE	VERSU	DIRECT
Operator's seat swivel angle	180°			
Co-drivers seat with safety belt	Option			
Noise level [dB]	<70			
No. of doors	1/2			
No. of windows STD	5/6			
Roof window	Option			
Window area with roof window [m ²]	6.22			
Window area with forest roof (Skyview) [m ²]	7.00			
Polycarbonate right side window	Option			
Polycarbonate rear and side glasses	Option			
Windscreen wiper work angle	STD 180°, Optional 270°			
Valtra ARM control armrest w/o terminal	Option	Option	--	--
Valtra SmartTouch	--	--	STD	STD
Transmission control without Valtra Arm	Option	Option	--	--
Air conditioning and heater in the roof	Option			
2nd heating for footwell	Option			
Automatic climate control with 2 heaters	Option (not available for Skyview)			
Cool box	Option			
Mechanical cab suspension	Option			
AutoComfort semi-active air suspension	Option			
TwinTrac reverse drive	Option			
QuickSteer	Option			
Auto Guide	Option (not available for Skyview)			
Safety camera	Option			
Windscreen, laminated and heated	Option			



VALTRA



Valtra is a worldwide brand of AGCO.

Valtra Inc.
Valmetinkatu 2
FI-44200 Suolahti
Tel. +358 (0)2045 501

www.valtra.com
www.facebook.com/ValtraGlobal
www.youtube.com/valtravideos

The tractors that appear in this brochure may be equipped with special options. Changes possible - all rights reserved.

**YOUR
WORKING
MACHINE**